

INSTALLATION INSTRUCTIONS

FOR ITEM 238789 Branches Semi-Flushmount

Meyda
CUSTOM LIGHTING

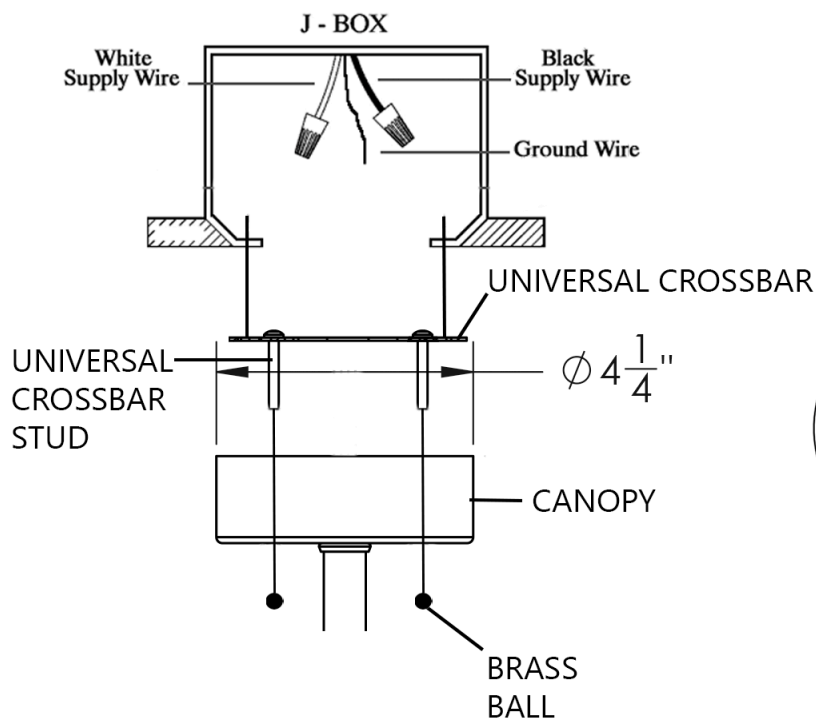
CAUTION: FAILURE TO INSTALL THIS FIXTURE PROPERLY MAY RESULT IN SERIOUS PERSONAL INJURY OR DEATH AND PROPERTY DAMAGE. We recommend installation by a licensed electrician. This product must be installed in accordance with applicable installation code(s), by a person familiar with the construction and operation of the product and the hazards involved.*

Caution: Do not exceed maximum wattage noted on fixture. Use only recommended bulbs with fixture.

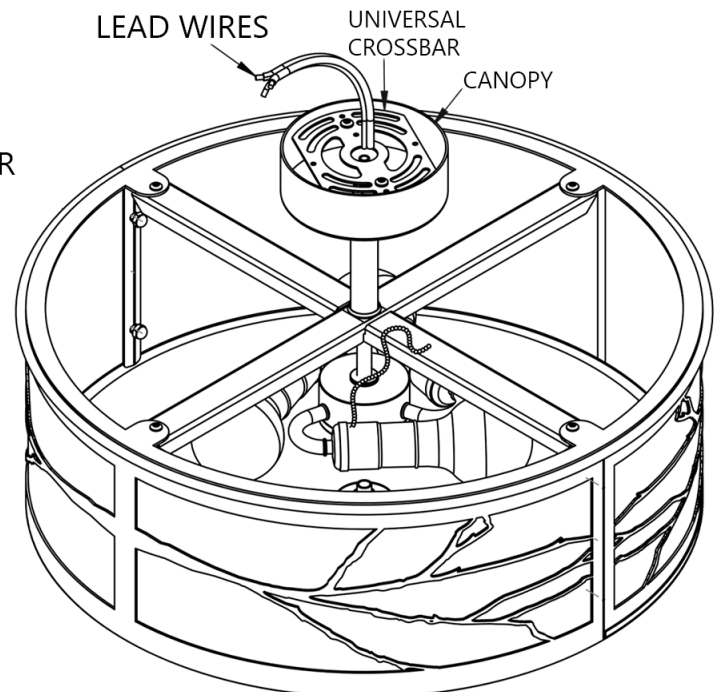
Caution:

***Be sure power is off at the main breaker box prior to installation.
Read all instructions in their entirety before beginning installation.***

1. Carefully unpack all components and make certain that everything is accounted for.
2. Remove Balls from Canopy to release Universal Crossbar with Studs. Reserve Balls for later use,
3. Using Customer Supplied Hardware, affix Universal Crossbar to Junction Box ensuring that connection is suitable to hold a minimum of 10lbs and that Electrical Supply Wires remain accessible.
4. Following all Local Codes and Procedures, make connection from Fixture Lead Wires to Supply Wires.
5. Lift Fixture up to ceiling allowing Universal Crossbar Studs to pass through Canopy. Secure with reserved Brass Balls.
6. Install 3-E26 60Watt Bulbs(not included) into Sockets.
7. Power on and ENJOY!!!



MOUNTING DETAIL



ISOMETRIC VIEW