

INSTALLATION INSTRUCTIONS

FOR ITEM 199067

Meyda
CUSTOM LIGHTING

CAUTION: FAILURE TO INSTALL THIS FIXTURE PROPERLY MAY RESULT IN SERIOUS PERSONAL INJURY OR DEATH AND PROPERTY DAMAGE. We recommend installation by a licensed electrician.

This product must be installed in accordance with applicable installation code(s), by a person familiar with the construction and operation of the product and the hazards involved.*

Caution: Do not exceed maximum wattage noted on fixture. Use only recommended bulbs with fixture.

FIXTURE COMPONENTS

1. BACKPLATE WITH HARDWARE
2. ACRYLIC DIFFUSER
3. CROSSBAR WITH STUDS

Caution:

Fixture is OVERWEIGHT and not suitable for installation with standard Junction Box.

Be sure power is off at the main breaker box prior to installation.

Read all instructions in their entirety before beginning installation.

1. Carefully unpack all components and make certain that everything is on hand.
2. Unscrew brass balls to remove Crossbar with Studs. (put Brass Balls aside for later)
3. Using Customer Supplied Hardware, affix Crossbar to Junction Box ensuring that connection is suitable to hold a minimum of 5 LBS and that Electrical Supply Wires remain accessible.
4. Unravel the Wire on the back of the Backplate.
5. Following all Local Codes and Procedures, lift Backplate Hardware up and make wire connections from Fixture Lead Wires to Supply Wires.
6. Attach the Backplate to the Crossbar with studs and secure using Brass Balls from earlier.
7. Remove Half Ball and first Washer from the Backplate arms. (keep for later use)
8. Install 2X 7W LED E26 A19 bulbs (not included) into sockets.
9. Carefully lift the Acrylic Diffuser and put onto Backplate aligning with arms.
10. Secure Acrylic Diffuser by putting Washer and then Half Ball from earlier back on.
11. Power on and ENJOY!!!



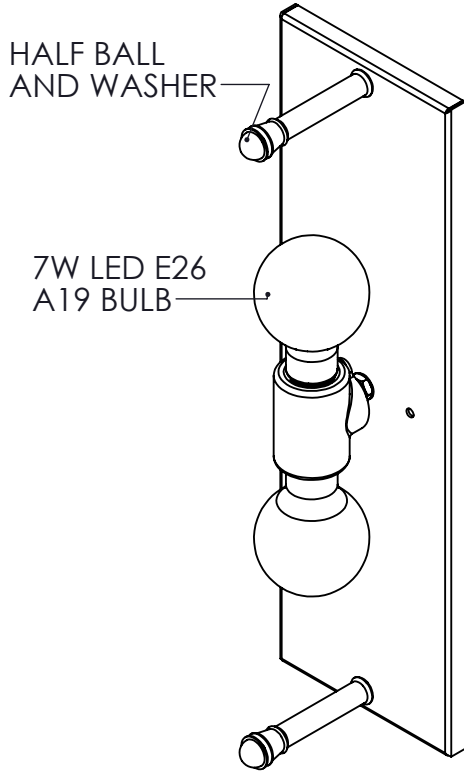
CUSTOMER PROPOSAL / CUT SHEET

"A Commitment to Excellence in Lighting and Service"

REVISION:

CALL OUR CUSTOMER SERVICE DEPARTMENT AT 1-800-222-4009
 MONDAY - FRIDAY 9:00a.m - 5:00p.m ET
 visit us on the web at www.meyda.com

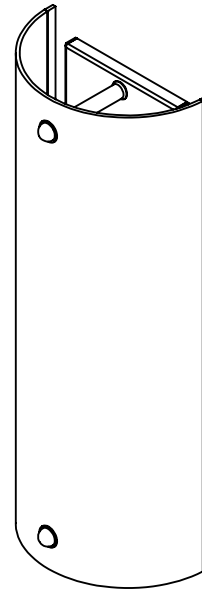
1. BACKPLATE WITH HARDWARE



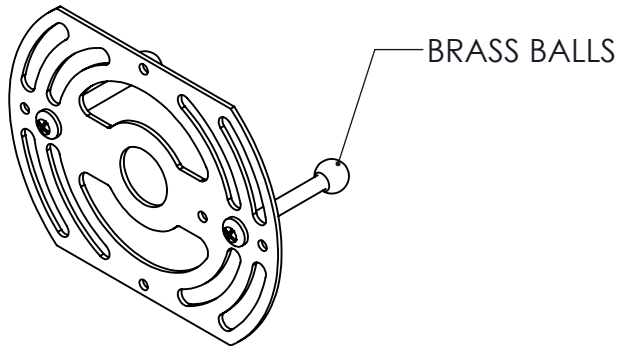
2. ACRYLIC DIFFUSER



4. OVERALL



3. CROSSBAR WITH STUDS



*DIMENSIONS AND DETAILS ARE SUBJECT TO MODIFICATION DURING PRODUCTION
 © MEYDA TIFFANY INC © DESIGN COPYRIGHT, MEYDA TIFFANY, INC. ALL RIGHTS RESERVED, NO UNAUTHORIZED DUPLICATION



*TRANSPARENT FINISHES WILL VARY DEPENDING ON THE MATERIAL TO WHICH IT IS APPLIED AND THE FABRICATION TECHNIQUE.

ID# S20549-6(199067)	W/O# 1513961	BULB# 2 (BULBS NOT INCLUDED)	DATE:3/11/2025
CUST. DESIGN#	QTY: 2	TYPE: E26 A19 LED	DRAWN BY:IF1071
FIXTURE TYPE:SCONCE	WATTS:7	VOLTAGE:120	SCALE: 1:4
LENS COLOR:113672 FLESH TONE IDALIGHT(FROSTED IN)	TOTAL AMPS:0.116667	APPROVAL:	
METAL FINISH:3ORBRRZ OIL RUBBED BRONZE (106397)	LOCATION: DAMP	EST. WEIGHT:3.84 LBS	
MATERIAL:STEEL/ ACRYLIC	NOTES:	SHEET: 2 OF 2	