

INSTALLATION INSTRUCTIONS

FOR ITEM 150910

Meyda
CUSTOM LIGHTING

CAUTION: FAILURE TO INSTALL THIS FIXTURE PROPERLY MAY RESULT IN SERIOUS PERSONAL INJURY OR DEATH AND PROPERTY DAMAGE. We recommend installation by a licensed electrician.

This product must be installed in accordance with applicable installation code(s), by a person familiar with the construction and operation of the product and the hazards involved.*

Caution: Do not exceed maximum wattage noted on fixture. Use only recommended bulbs with fixture.

FIXTURE COMPONENTS

1. SHADE WITH BACKPLATE AND LAMPING
2. CROSSBAR WITH STUDS

Caution:

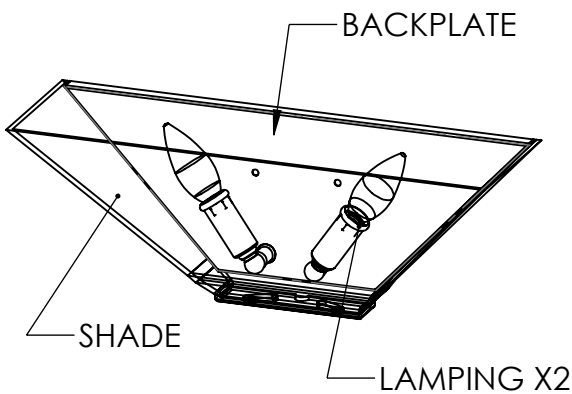
Fixture is OVERWEIGHT and not suitable for installation with standard Junction Box.

Be sure power is off at the main breaker box prior to installation.

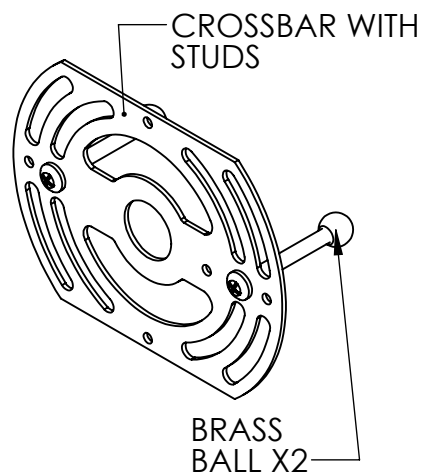
Read all instructions in their entirety before beginning installation.

1. Carefully unpack all components and make certain that everything is on hand.
2. Remove Crossbar by uncrewing Brass Balls inside Shade. (save for later)
3. Using Customer Supplied Hardware, affix crossbar to J-Box ensuring that connection is suitable for 5 lbs and that Electrical Supply Wires remain accessible.
4. Unravel Wire on the Back of the Canopy.
5. Following all Local Codes and Procedures, make Electrical connections from Fixture Lead Wires to Supply Wires.
6. Attach fixture back to Crossbar by inserting Crossbar Studs through holes in Canopy and Re-screwing the Brass Balls.
7. Install 2X 40WATT E12 B10 Bulbs (not included) into sockets.
8. Power on and ENJOY!!!

1. SHADE WITH BACKPLATE AND LAMPING



2. CROSSBAR WITH STUDS



SHADE IMAGE



OVERALL

