

INSTALLATION INSTRUCTIONS

FOR ITEM 119860

Meyda
CUSTOM LIGHTING

CAUTION: FAILURE TO INSTALL THIS FIXTURE PROPERLY MAY RESULT IN SERIOUS PERSONAL INJURY OR DEATH AND PROPERTY DAMAGE. We recommend installation by a licensed electrician.

This product must be installed in accordance with applicable installation code(s), by a person familiar with the construction and operation of the product and the hazards involved.*

Caution: Do not exceed maximum wattage noted on fixture. Use only recommended bulbs with fixture.

FIXTURE COMPONENTS

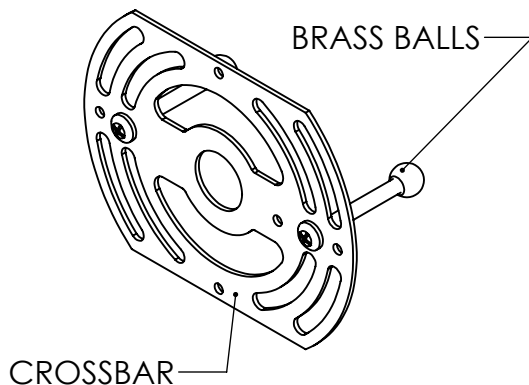
1. CROSSBAR W/ STUDS
2. FIXTURE

Caution:

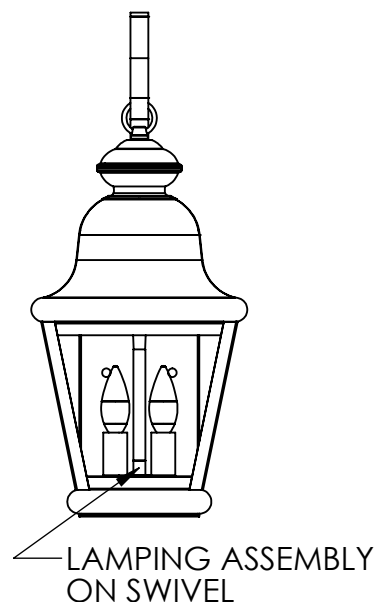
***Be sure power is off at the main breaker box prior to installation.
Read all instructions in their entirety before beginning installation.***

1. Carefully unpack all components and make certain that everything is on hand.
2. Remove the Crossbar by uncrewing the Brass Balls from the Backplate. (save them for later)
3. Using Customer Supplied Hardware, affix the Crossbar to the J-Box ensuring that connection is suitable to hold a minimum of 15 lbs and that Electrical Supply Wires are accessible.
4. Unravel the Wire located at the back of the Backplate.
5. Following all Local Codes and Procedures, make Electrical Connections from Fixture Lead Wires to Supply Wires.
6. Attach the Fixture back onto the Crossbar and re-screw the Brass Balls to secure the Fixture.
7. Carefully reach your hand underneath the Fixture to move the lamping assembly to the side.
8. Install 2X 60WATT E12 B10 Bulbs (not included) into sockets and reposition the lamping assembly to center.
9. Power on and ENJOY!!!

1. CROSSBAR W/ STUDS



2. FIXTURE



OVERALL

