

# INSTALLATION INSTRUCTIONS

FOR ITEM 111348

*Meyda*  
CUSTOM LIGHTING

**CAUTION: FAILURE TO INSTALL THIS FIXTURE PROPERLY MAY RESULT IN SERIOUS PERSONAL INJURY OR DEATH AND PROPERTY DAMAGE.** We recommend installation by a licensed electrician.

This product must be installed in accordance with applicable installation code(s), by a person familiar with the construction and operation of the product and the hazards involved.\*

**Caution:** Do not exceed maximum wattage noted on fixture. Use only recommended bulbs with fixture.

## FIXTURE COMPONENTS

1. CROSSBAR W/ STUDS
2. GLASS PANEL X4
3. HARDWARE

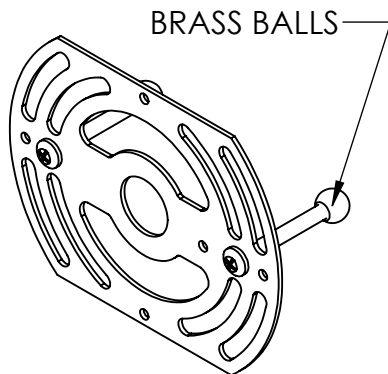
### Caution:

**Be sure power is off at the main breaker box prior to installation.**

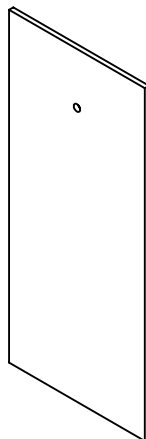
**Read all instructions in their entirety before beginning installation.**

1. Carefully unpack all components and make certain that everything is on hand.
2. Release crossbar by unscrewing brass balls on the bottom of the canopy. (save for later)
3. Using customer supplied hardware, affix crossbar directly to J-box ensuring that connections is suitable for a minimum of 7.5 lbs and that electrical supply wires remain accessible.
4. Unscrew the knob on the end of the hardware and carefully insert glass onto stud, adding back the knob and tightening to secure the glass.
5. Repeat step four 3 more times.
6. Unravel wire from the top of the canopy and carefully lift to ceiling.
7. Following all local codes and procedures make wire connections from electrical supply wires to lead wires.
8. Secure canopy to crossbar using brass balls from earlier.
9. Install 1X 60WATT E26 T10 Bulb (not included) into socket.
10. Power on and ENJOY!!!

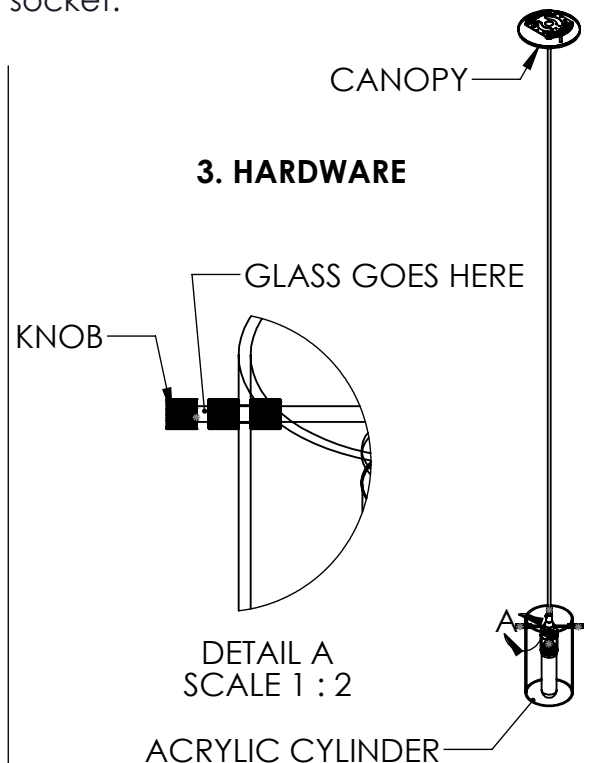
### 1. CROSSBAR W/ STUDS



### 2. GLASS PANEL X4



### 3. HARDWARE

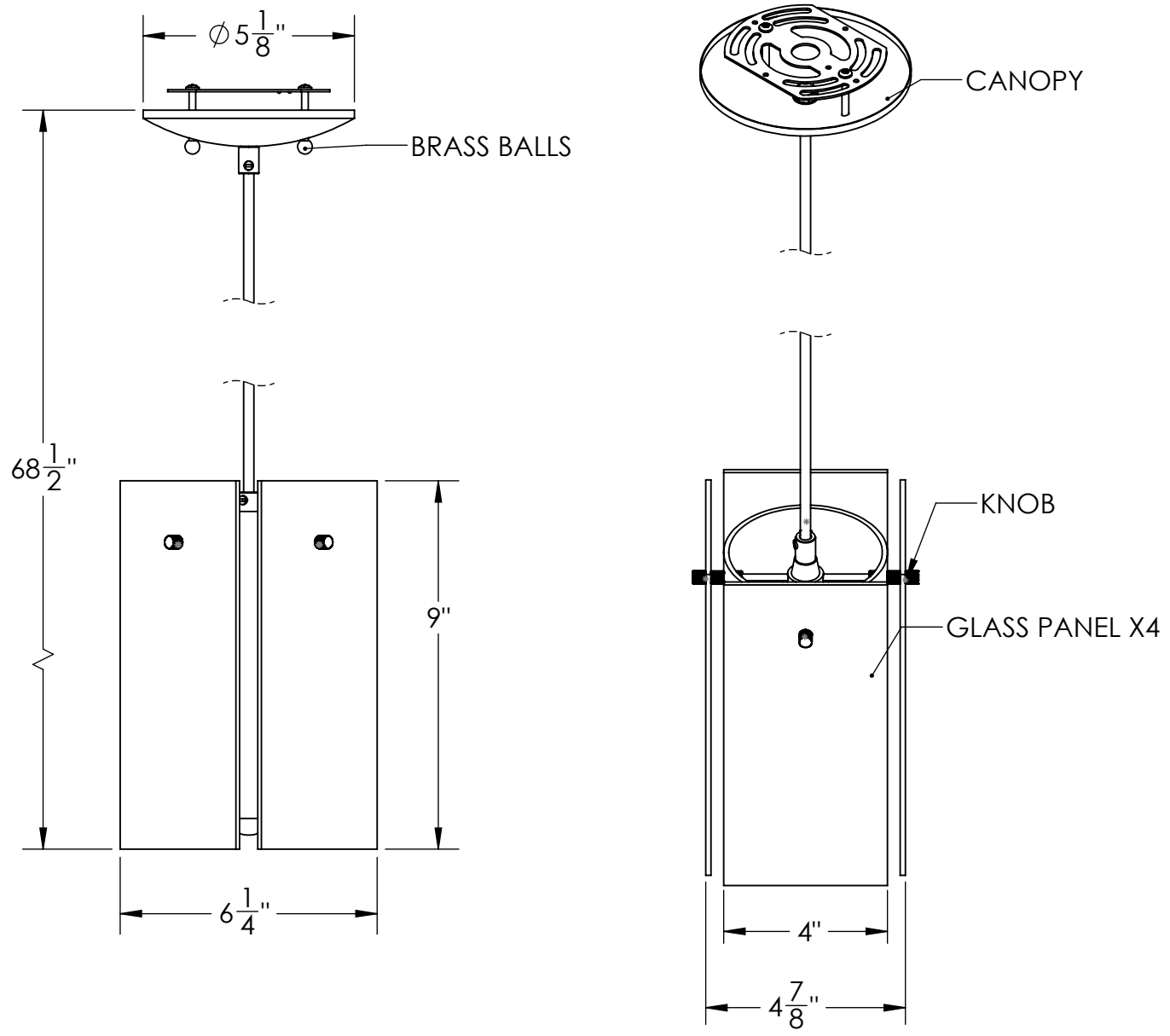




**CUSTOMER PROPOSAL / CUT SHEET**  
**"A Commitment to Excellence in Lighting and Service"**  
 CALL OUR CUSTOMER SERVICE DEPARTMENT AT 1-800-222-4009  
 MONDAY - FRIDAY 9:00a.m - 5:00p.m ET  
 visit us on the web at www.meyda.com

REVISION:

**OVERALL**



\*DIMENSIONS AND DETAILS ARE SUBJECT TO MODIFICATION DURING PRODUCTION  
 © MEYDA TIFFANY INC © DESIGN COPYRIGHT, MEYDA TIFFANY, INC. ALL RIGHTS RESERVED, NO UNAUTHORIZED DUPLICATION



\*TRANSPARENT FINISHES WILL VARY DEPENDING ON THE MATERIAL TO WHICH IT IS APPLIED AND THE FABRICATION TECHNIQUE.

ID# Q63-09-0007 & QBCHH-100W(111348)	W/O# 1514710	BULB# 1 (BULBS NOT INCLUDED)	DATE:3/19/2025
CUST. DESIGN#	QTY: 3	TYPE: E26 T10	DRAWN BY:IF1071
FIXTURE TYPE: PENDANT	WATTS:60	VOLTAGE:120	SCALE: 1:4
LENS COLOR:146013 ORANGE SYSTEM 96 FUSIBLE	TOTAL AMPS:0.5	APPROVAL:	
METAL FINISH:3BLKTEX TEXTURED BLACK (106388)	LOCATION: DAMP	EST. WEIGHT:2.91 LBS	
MATERIAL:STEEL/ GLASS	NOTES:	SHEET: 2 OF 2	